

4

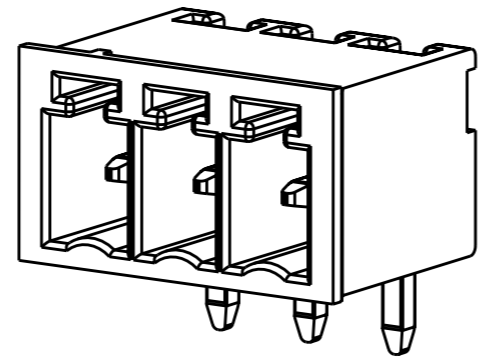
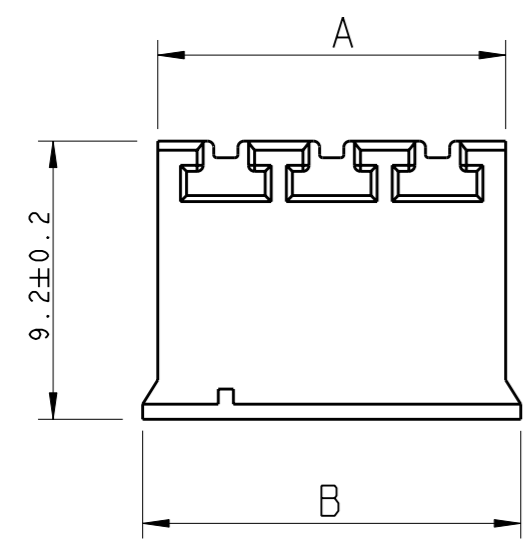
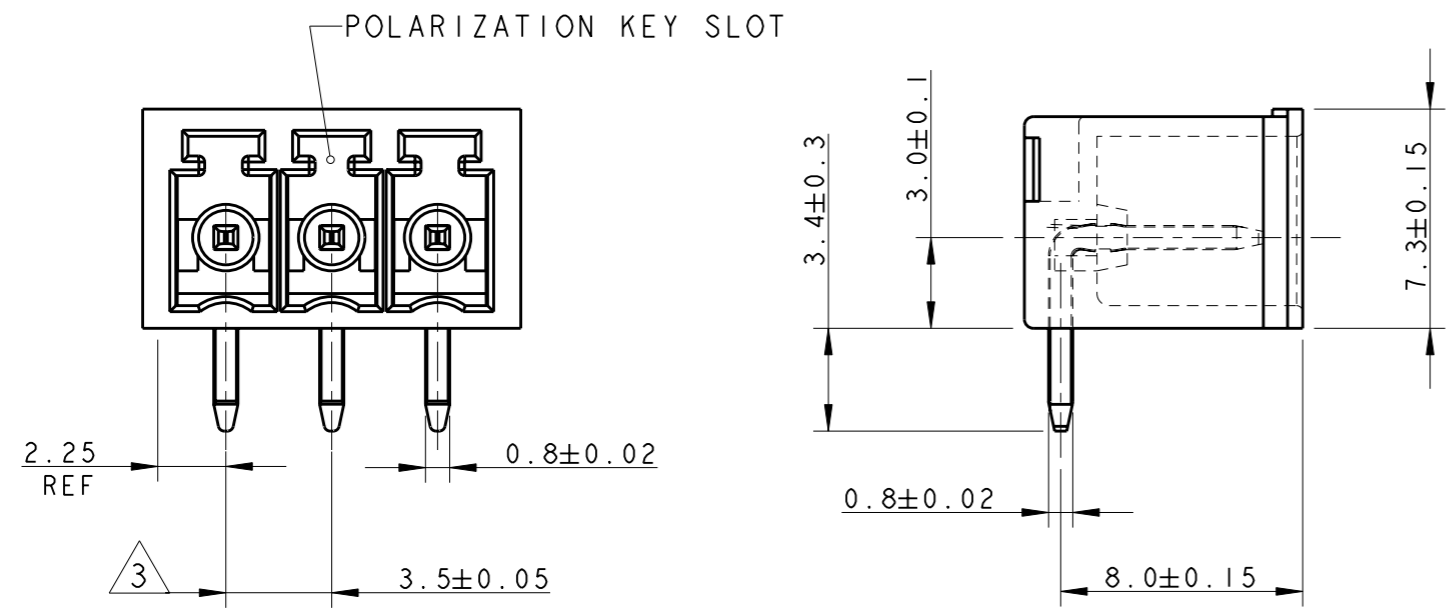
3

2

1

THIS DRAWING IS UNPUBLISHED. RELEASED FOR PUBLICATION 20
 © COPYRIGHT 20 BY TYCO ELECTRONICS CORPORATION. ALL RIGHTS RESERVED.

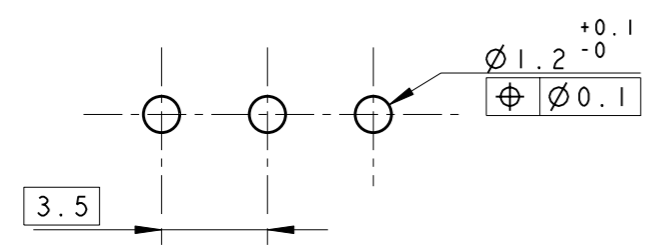
LOC	DIST	REVISIONS			
P	LTR	DESCRIPTION	DATE	DWN	APVD
FT	0	E1	REVISED PER ECO-08-016224	07JUL2008	HMR CR



284512-3 AS SHOWN

- 1 MATERIALS AND FINISH
 HOUSING : PA 6.6, UL 94-V0, COLOR GREEN
 TERMINAL : PHOSPHOR BRONZE, PLATING: SEE TABLE.
- 2. SUITABLE FOR 1.6-2.4 mm. PC BOARD THICKNESS
- 3 NOT CUMULATIVE TOLERANCE
- 4 PRELIMINARY - NOT FOR PRODUCTION.

4	GOLD FLASH	26.5	25.5	7	3-284512-6
	0.2 MICRON GOLD	44.0	43.0	12	3-284512-5
	TIN	16.0	15.0	4	3-284512-4
	TIN	12.5	11.5	3	3-284512-3
	TIN	89.5	88.5	25	2-284512-5
	TIN	86.0	85.0	24	2-284512-4
	TIN	82.5	81.5	23	2-284512-3
	TIN	79.0	78.0	22	2-284512-2
	TIN	75.5	74.5	21	2-284512-1
	TIN	72.0	71.0	20	2-284512-0
	TIN	68.5	67.5	19	1-284512-9
	TIN	65.0	64.0	18	1-284512-8
	TIN	61.5	60.5	17	1-284512-7
	TIN	58.0	57.0	16	1-284512-6
	TIN	54.5	53.5	15	1-284512-5
	TIN	51.0	50.0	14	1-284512-4
	TIN	47.5	46.5	13	1-284512-3
	TIN	44.0	43.0	12	1-284512-2
	TIN	40.5	39.5	11	1-284512-1
	TIN	37.0	36.0	10	1-284512-0
	TIN	33.5	32.5	9	284512-9
	TIN	30.0	29.0	8	284512-8
	TIN	26.5	25.5	7	284512-7
	TIN	23.0	22.0	6	284512-6
	TIN	19.5	18.5	5	284512-5
	TIN	16.0	15.0	4	284512-4
	TIN	12.5	11.5	3	284512-3
	TIN	9.0	8.0	2	284512-2
	TERMINAL PLATING	B	A	NO OF POSN	PART NUMBER



RECOMMENDED PC BOARD LAYOUT

THIS DRAWING IS A CONTROLLED DOCUMENT FOR TYCO ELECTRONICS CORPORATION. IT IS SUBJECT TO CHANGE AND THE CONTROLLING ENGINEERING ORGANIZATION SHOULD BE CONTACTED FOR THE LATEST REVISION.		DWN E. ZANOLINI 06FEB2002	Tyco Electronics Harrisburg, PA 17105-3608	
DIMENSIONS: mm		CHK E. ZANOLINI 06FEB2002	NAME TERMINAL BLOCK, HEADER ASSEMBLY 90 DEGREE, CLOSED ENDS 3.5mm PITCH	
TOLERANCES UNLESS OTHERWISE SPECIFIED: 0 PLC ±. 1 PLC ±.3 2 PLC ±.25 3 PLC ±. 4 PLC ±. ANGLES ±2		APVD D. BLEVENOUR 06FEB2002	PRODUCT SPEC 108-20166	
MATERIAL		APPLICATION SPEC 114-20079	RESTRICTED TO	
FINISH		WEIGHT -	SIZE A3	CAGE CODE 00779
		CUSTOMER DRAWING	DRAWING NO C-284512	SCALE 4:1
			SHEET 1	OF 1
			REV E1	